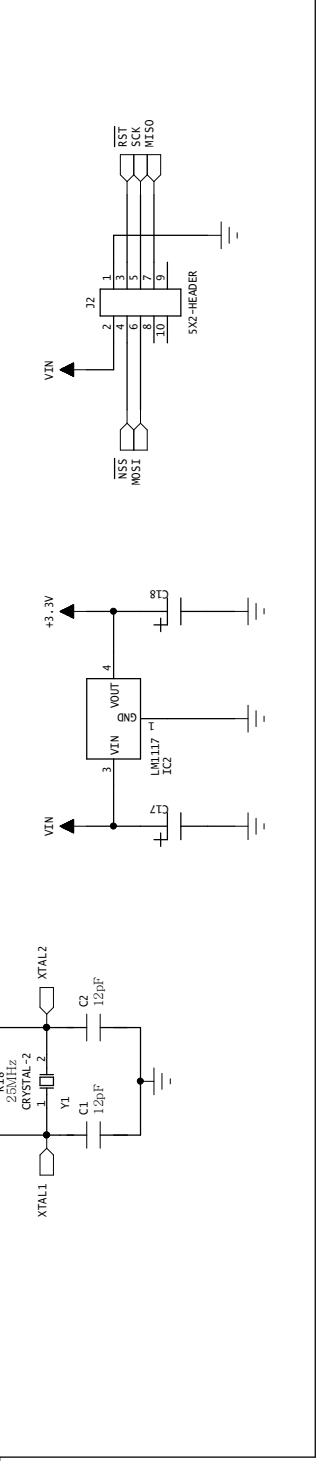


Company:	Rev:
Project Name:	<undefined>
Sheet Name:	<undefined>
Designed by	
File Name:	W5100_Module.sch: B
Date:	Page Num: 1 of 1



1

2

3

4

5

6

D

C

B

A

D

C

B

A