

31070-MI

Pulse Generator

Compact PC board Pulse generator utilizing the 555 IC.

Features:

Power: 5-15VDC

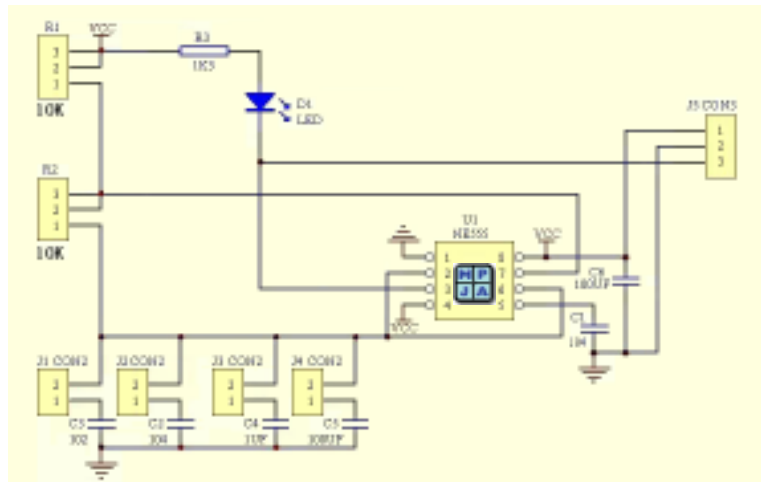
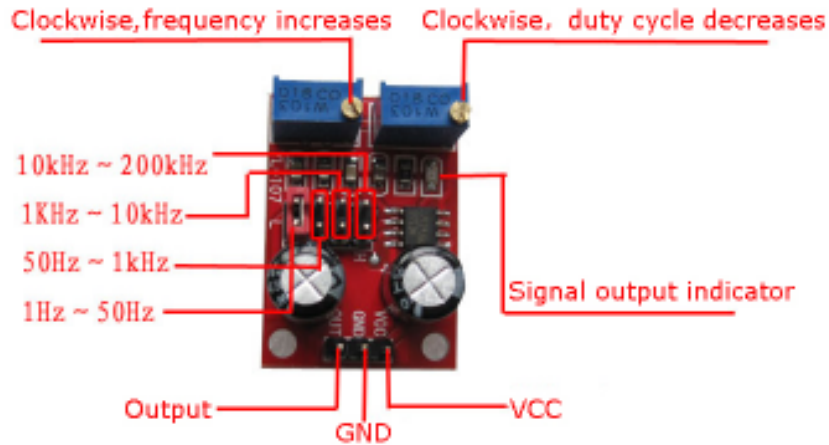
15mA output drive @ 5VDC; 35mA @ 12V Power.

Frequency ranges: 1Hz-50Hz, 50-1KHz, 1KHz-10KHz & 10KHz-200KHz.

Controls for Frequency Adjust & Duty Cycle. 3Pin I/O header.

Note: Freq. & Duty Cycle interact with each other.

L: 1-1/4" **W:** 7/8" **H:** 9/16" **WT:** .02



MARLIN P. JONES & ASSOC., INC.

P.O. Box 530400 Lake Park, FL 33403

800-652-6733 FAX 561-844-8764

WWW.MPJA.COM