

A

A

B

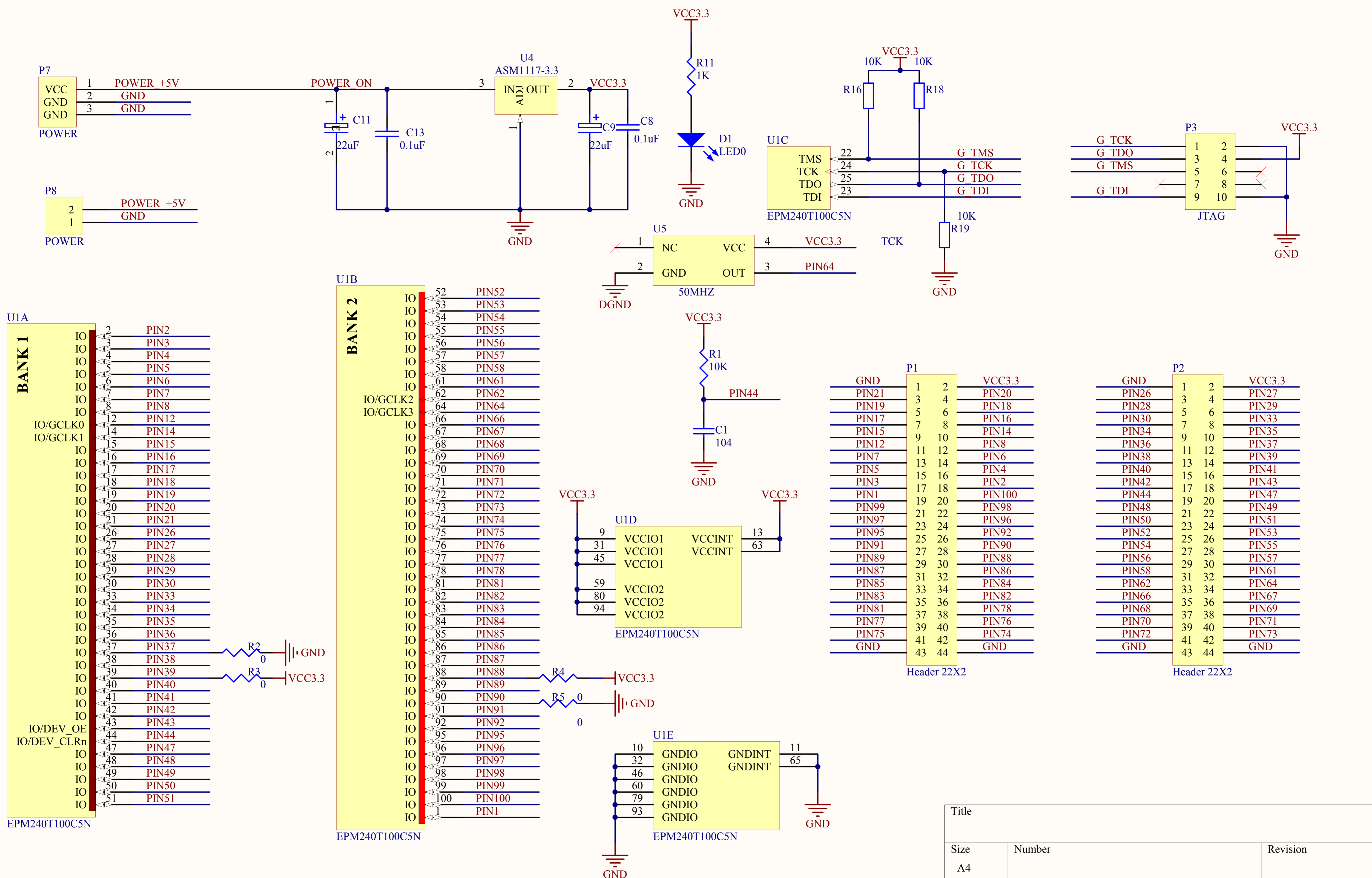
B

C

C

D

D



Title		
Size	Number	Revision
A4		
Date:	2009-9-4	Sheet of
File:	F:\EPM240	\\.\EPM240mainboard\...

