

6

5

4

3

2

1

D

D

C

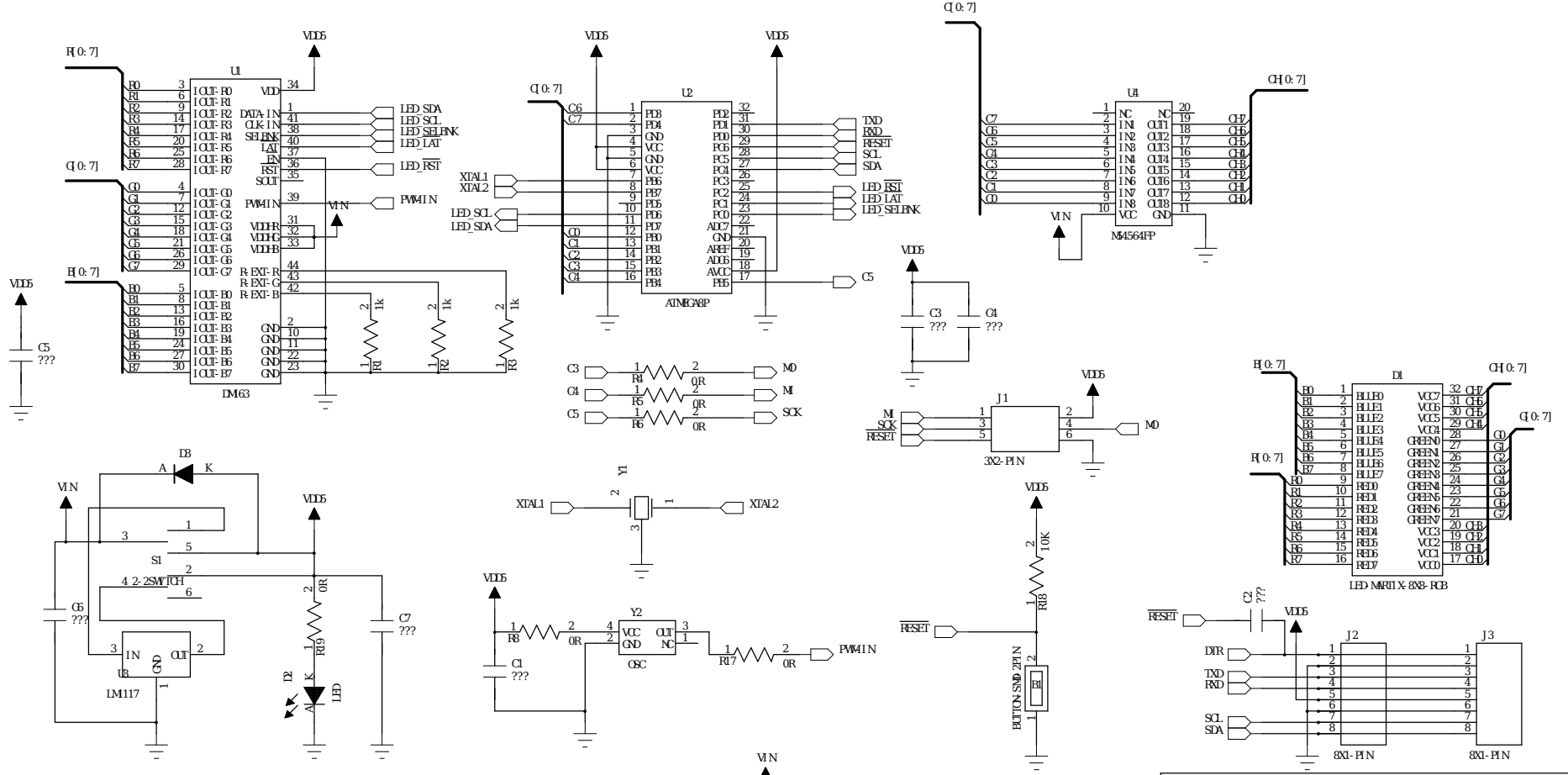
C

B

B

A

A



Company:	
Project Name:	Rev:
Sheet Name: undefined	
Designed by	
File Name: led- Driver- V1.1	Page size:
Date :	Page Num of 1