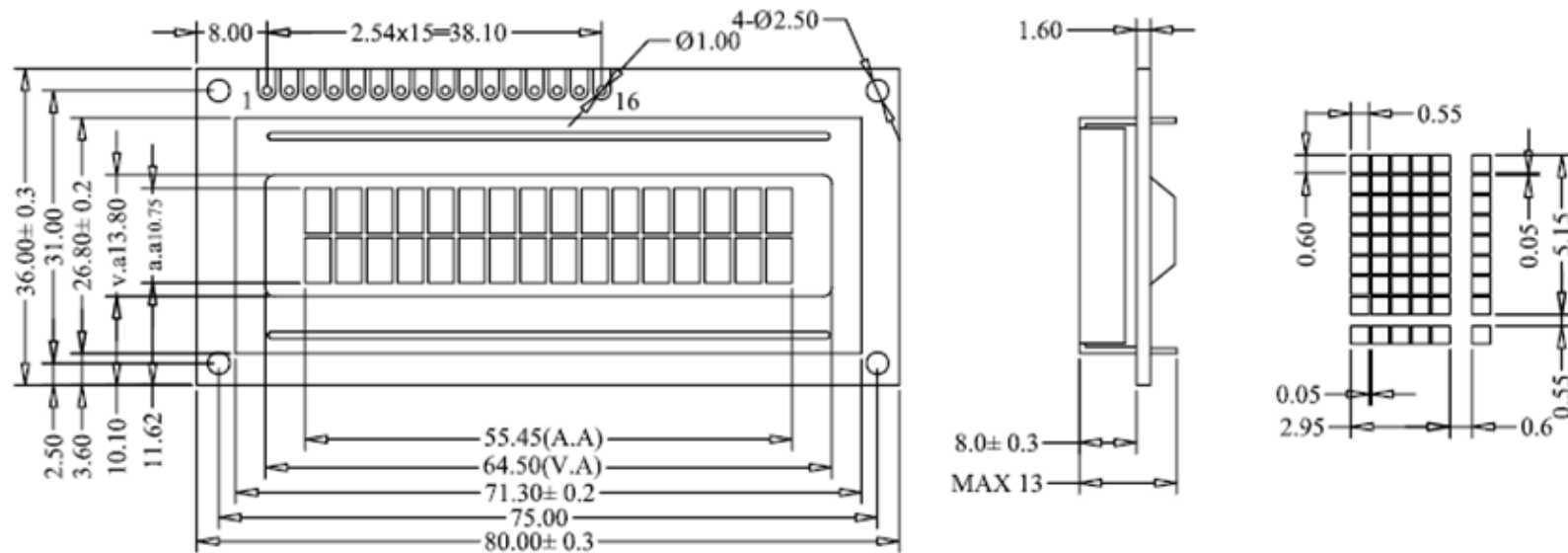


5V LCD with Blue Backlight (1602) Datasheet

YB1602A (16 characters x2 Lines)

1/16DUTY, 1/5BIAS

1. DIMENSION OUTLINE



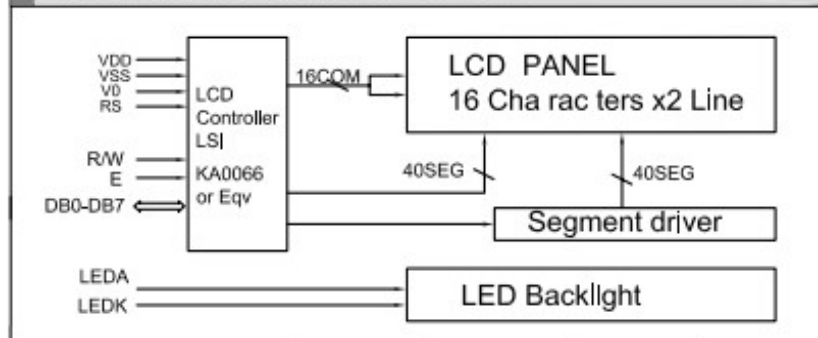
2. MECHANICAL SPECIFICATIONS

ITEM	SPECIFICATIONS	ITEM	REMARK
Module Size(L×W×H)	80.0×36.0×13.0	mm	Reference Dimensional Outline
View Area(W×H)	64.5×13.8	mm	
Effective V/Area	55.45×10.75	mm	
Number of Characters	16CH×2Lines	-	
Characters Size(W×H)	2.95×5.15	mm	
Dot Size(W×H)	0.55×0.60	mm	
Weight(Reflective/Led)	-	g	

3. ABSOLUTE MAXIMUM RATINGS

ITEM	SYMBOL	CONDITION	STANDARD	
			MIN	MAX
Logic Voltage	V _{DD}	Ta=25°C	-0.3V	7V
LCD Voltage	V _{LCD}		-0.3V	13V
Input Voltage	V _I		-0.3V	V _{DD} +0.3V
Operation Temperature	T _{OP}	—	-20°C	70°C
Storage Temperature	V _{OP}	—	-30°C	80°C

4. BLOCK DIAGRAMMECHANICAL



5. LED BACKLIGHT SPECIFICATIONS

ITEM	SYMBOL	TYPE	MAX	UNIT
Ta=25°C				
Forward Voltage	V _f	4.1	4.3	V
Forward Current	I _f	120	—	mA
Emission Wave Length	λ _P	568	—	nm

6. INTERFACE PIN CONNECTIONS

ITEM	SYMBOL	LEVEL	FUNCTIONS
1	VSS	0V	Power Ground
2	VDD	+5V	Power supply for logic
3	V0	—	Contrast adjust
4	RS	H/L	H:data L:command
5	R/W	H/L	H:read L:write
6	E	H,H→L	Enable signal
7-14	DB0-DB7	H/L	Data Bus
15	LEDA	+5V	Power supply for LED Backlight
16	LEDK	0V	

7. ELECTRICAL CHARACTERISTICS

ITEM	SYMBOL	MIN	TYPE	MAX	UNIT
Ta=25°C					
Logic Power	VDD	4.5	5	5.5	V
Input High Voltage	V _{IH}	2.2	—	V _{DD}	V
Input Low Voltage	V _{IL}	-0.3	—	0.6	V
Output High Voltage	V _{OH}	2.4	—	V _{DD}	V
Output Low Voltage	V _{OL}	0	—	0.4	V
Logic Current	I _{DD}	—	1.5	3.0	mA
Operation Voltage For LCD	V ₀ -GND	—	5	—	V