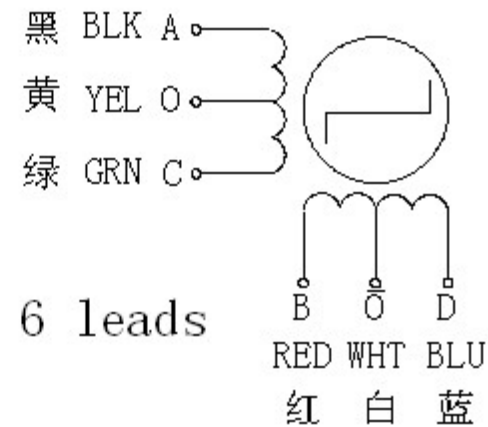
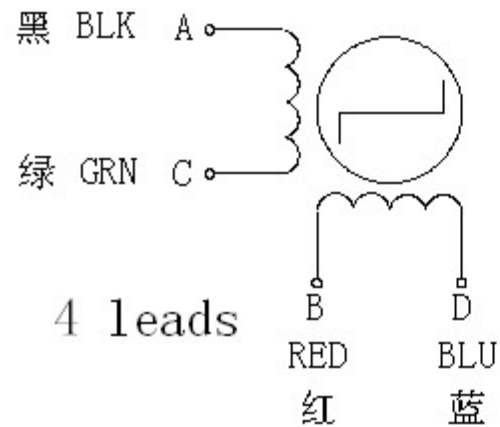


42BYGHW208 Stepper Motor Datasheet

Wiring diagram (接线图):



Model	Step Angle (°)	Motor Length L(mm)	Rate Voltage (V)	Rate Current (A)	Phase Resistance (Ω)	Phase Inductance (mH)	Holding Torque (g.cm)	Lead Wire (NO.)	Rotor Inertia (g.cm ²)	Detent Torque (g.cm)	Motor Weight (kg)
42BYGHW208	1.8	34	12	0.4	30	37	2800	4	34	200	0.2

Mechanical Dimensions(外型图)

