

1

2

3

4

5

6

A

A

B

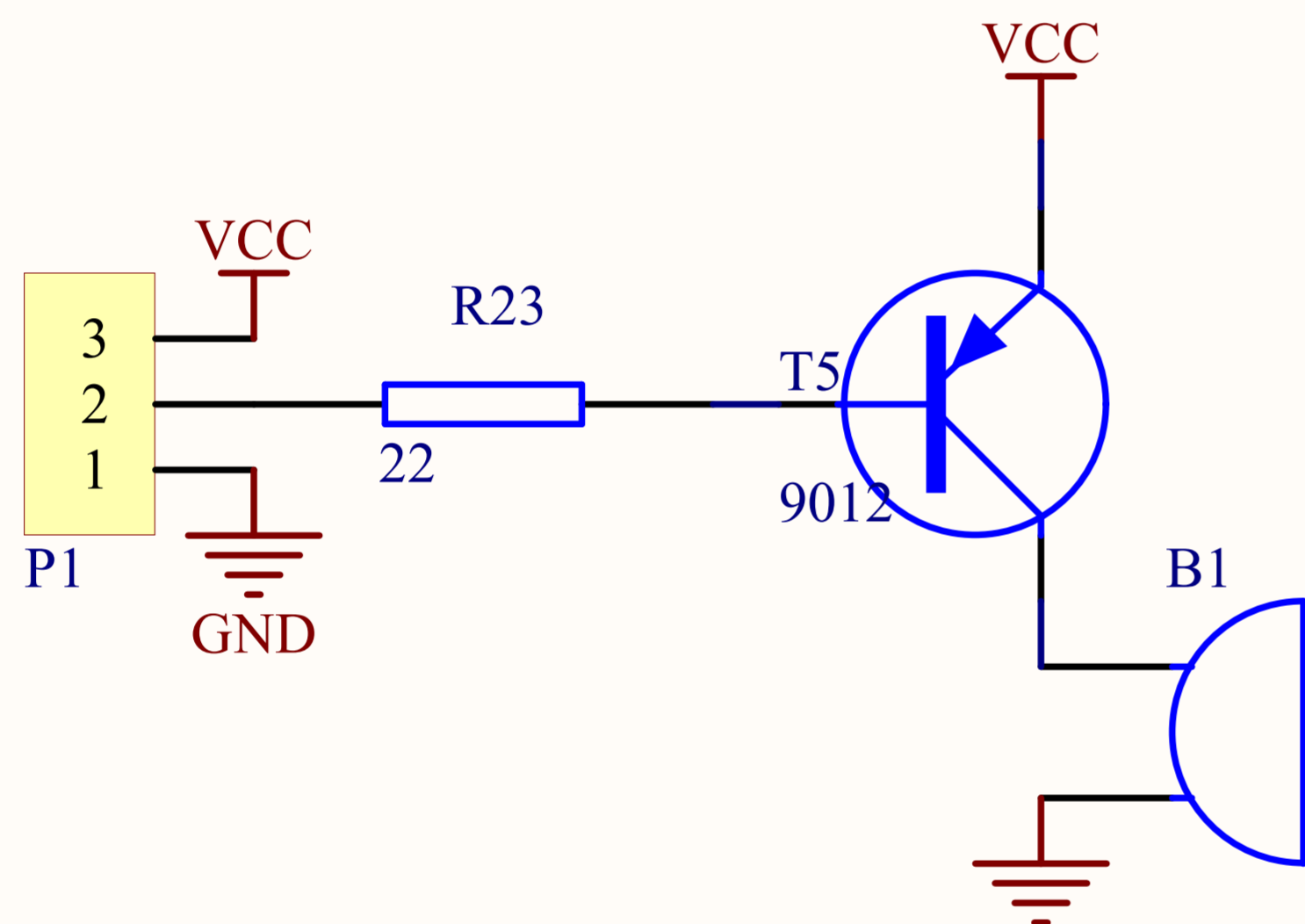
B

C

C

D

D



Title		
Size	Number	Revision
A4		
Date:	2012-3-8	Sheet of
File:	D:\ \.\ .SchDoc	Drawn By:

1

2

3

4

5

6